

PIVOT HINGE "HODOR" F/8-12 MM DOORS

- high quality furniture fittings



Application:
 Pivot hinge for inset doors. Top & bottom hinge.
 With catch function. Drilling required.
 Angle adjustment by use of sloping gaskets.
 160 degrees opening.

Cabinet panel thickness from 10mm.

Material: Aluminum – chrome pl. or black matt
 Size: 45 x 85 x 43 mm (W/L/H)
 Door thickness: 8 – 12 mm
 Drilling: Ø 12 mm
 Max load capacity: 38 kg per door.
 Max. door size: 600 x 2000 x 12mm (W/H/T)

1 pair = 1 top + 1 bottom hinge

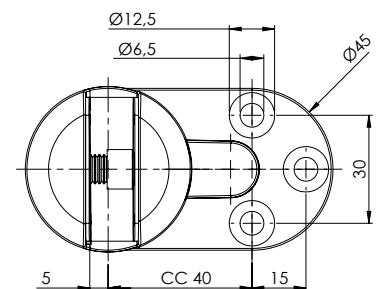
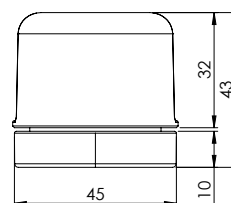
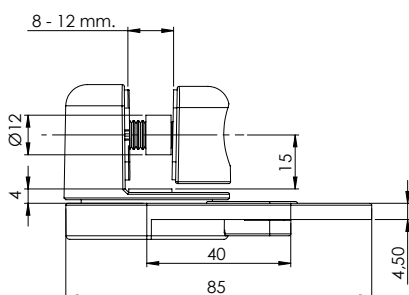
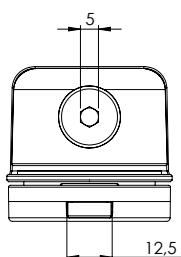
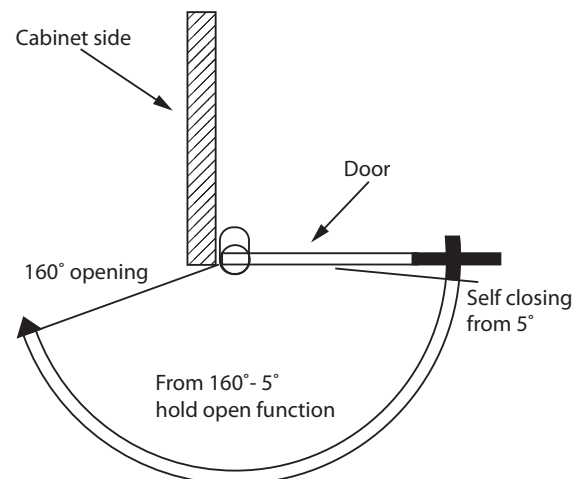
Item No.:

Chrome plated	# 15.06.080
Black matt	# 15.06.082

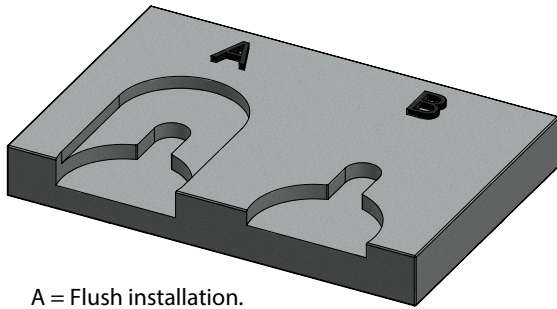
Incl. 6 CSK steel screws Ø6 x 18 mm, 4 transparent PVC gaskets in 1mm & 2 black PA sloping gaskets for angle adjustment.



TÜV Approved
 EN 15570:2008
 80.000 Cycles

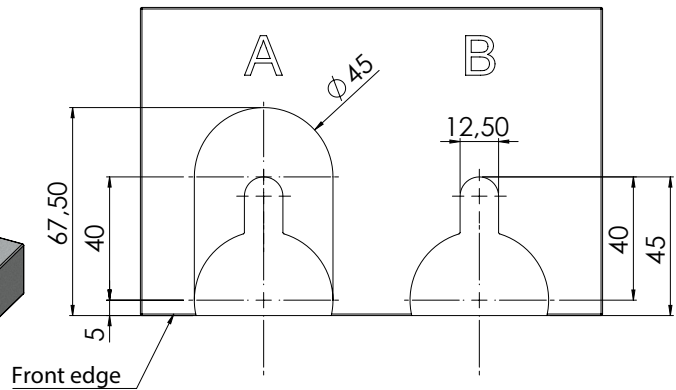
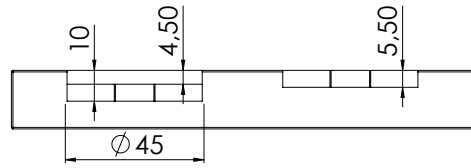
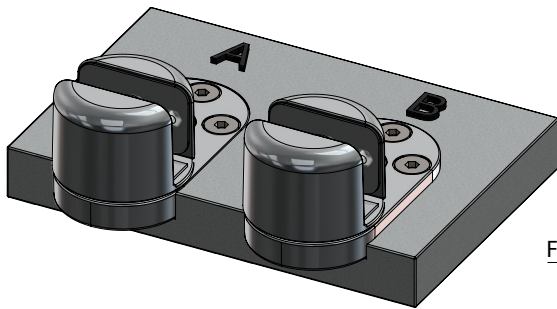


PIVOT HINGE "HODOR" INSTALLATION

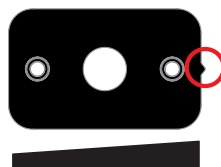
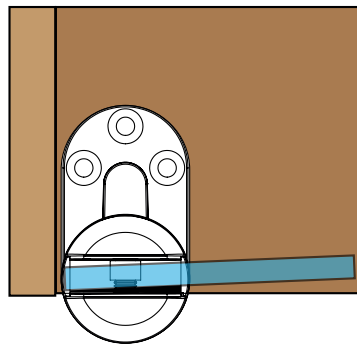
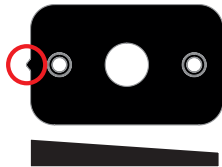
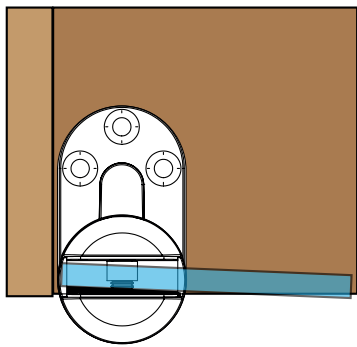


A = Flush installation.

B = Elevated installation 4,5mm.



Angle adjustment by use of sloping gaskets.



SISO A/S